

Differential Pressure Transducers

Model 8310
Models 8313, 8314
Models 8315, 8316

| | |
|-----------|---------------|
| Code: | 8310 EN |
| Delivery: | 10 - 12 weeks |
| Warranty: | 24 months |



Model 8310
for lower pressure ranges



Models 8313, 8314
for medium pressure ranges



Models 8315, 8316
for high pressure ranges

- Measuring ranges from 0 ... ± 35 mbar to 0 ... ± 500 bar
- Accuracy < 0.25% or < 0.5%
- Available for line pressures up to 345 bar
- Output available as ± 5 V or 4 ... 20 mA
- Suitable for liquid or gaseous media
- Made of stainless steel, reliable, robust

Application

The here presented pressure transducers measure differences in pressure between the two connections of the measuring element. Pressure differences can be measured with respect to a reference pressure, such as atmospheric, or to the command variable of a regulation system. Equally, however, it is possible to measure pressure differences within systems that have a high static pressure. One practical example of this would be measuring a flow rate by measuring the pressure drop occurring across a metering diaphragm.

The differential pressure transducers react in both directions - as are found, for instance, on double-acting hydraulic cylinders in material testing machines - and can handle liquid or gaseous media on both ports. Venting holes simplify practical application. The robust design and the use of stainless steel make it possible to use the differential pressure transducer under tough operating conditions.

Description

On both pressure ports, the differential pressure transducers include a closed chamber, each with a membrane. Both membranes, like all the parts that come into contact with the medium, are made of stainless steel and are welded to create a hermetic seal against the inner space of the measuring element. Transducers with this structure are also referred to as wet/wet; it allows differential pressure of gaseous and liquid media to be measured directly. The here presented differential pressure transducers show another interesting feature: they operate bidirectionally. In other words, it does not matter to which port the higher pressure is connected.

The physical magnitude of the pressure is converted into an electrical magnitude by means of an integrated Wheatstone bridge circuit, consisting of four foil strain gauges. Integrated measurement amplifiers for ± 5 V or 4 ... 20 mA are offered as an option; this increases the height by 29 mm.

Technical Data - Model 8310

| Model | Order Code | Measurement Range | Typ. Measurement Error* [% F.S.] | Characteristic Nominal [mV/V] |
|-------|------------|-------------------|----------------------------------|-------------------------------|
| 8310 | 8310-35 | 0 ... ± 35 mbar | < ± 0.25 | 1 |
| | 8310-100 | 0 ... ± 100 mbar | < ± 0.25 | 1.5 |
| | 8310-200 | 0 ... ± 200 mbar | < ± 0.25 | 2 |
| | 8310-500 | 0 ... ± 500 mbar | < ± 0.25 | 2 |
| | 8310-1000 | 0 ... ± 1000 mbar | < ± 0.25 | 2 |
| | 8310-2000 | 0 ... ± 2000 mbar | < ± 0.25 | 2 |

* Total error consisting of non-linearity, hysteresis and variation.

Electrical values

| | | |
|---|-------------------|-----------------|
| Bridge resistance: | foil strain gauge | 350 Ω, nominal |
| Calibration shunt resistor: | | 59 kΩ ± 0.1 % |
| The bridge output voltage, caused by a shunt resistor of this value is given in the calibration protocol. | | |
| Excitation voltage: | | 10 V DC or AC |
| Sensitivity: | | refer to table |
| Insulation resistance: | | 5 GΩ at 50 V DC |

Environmental conditions

| | |
|---|---------------------|
| Operating temperature: | 0 °C ...90 °C |
| Nominal temperature range: | 0 °C ...55 °C |
| Influence of temperature to zero signal: | < ± 0.5 % F.S./55 K |
| Influence of temperature to characteristic: | < ± 0.5 % Rdg./55 K |

Mechanical values

| | | |
|--|---|-------|
| Kind of measurement: | measurement of differential pressure | |
| Dead volume: | every side approx. 6.6 cm ³ | |
| Variation of volume: | for range 0 ... ± 200 mbar approx. 0.17 cm ³ | |
| Pressure of system ¹⁾ : | max. 100 bar | |
| Influence of system pressure to zero signal: | < ± 0.5 % F.S./70 bar | |
| Overload ²⁾ : | one side max. 100 bar | |
| Resonance frequency: | | |
| for range 0 ... ± 200 mbar | liquid media | 5 Hz |
| | gaseous media | 10 Hz |
| Dynamic load: | | |
| recommended | 70 % of nominal pressure | |
| possible | 100 % of nominal pressure | |

Design:

Both pressure chambers are sealed hermetically, the membranes are welded. The outer caps of the pressure chamber are bolt. They are sealed by O-rings, made of VITON®.

All differential pressure transducers used for low pressure ranges contain silicone oil between their membranes. Due to this their maximum operation and storage temperature is 90 °C

| | | |
|------------------------------|--|----------|
| Material: | stainless steel 316SS (like 1.4571) | |
| Pressure connection: | internal thread 1/8 - 27 NPT | |
| Bleeder holes: | closed at delivery internal thread 1/8 - 27 NPT | |
| Electrical connection: | 6 pin bajonett lock, Amphenol 62GB-16F-10-6S | |
| Wiring (standard): | | |
| pin A + B | excitation voltage | positive |
| pin C + D | excitation voltage | negative |
| pin E | signal output | negative |
| pin F | signal output | positive |
| Mating connector: Model 9945 | Souriau 851-06 E-C-10-6 S or Amphenol 62 GB - 16 F -10 6S in scope of delivery | |

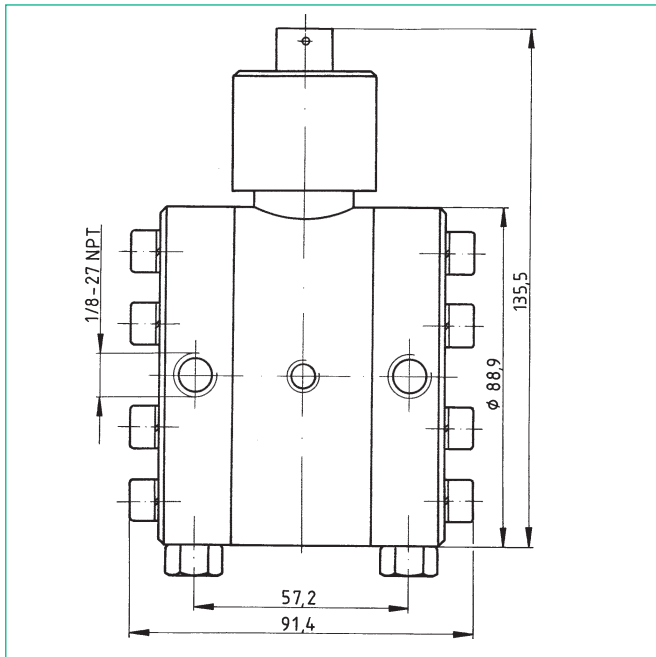
Dimensions: refer to dimensional drawing

Mounting:

Mounting hole with internal thread 1/4-28 UNF, 8 mm deep on both sides of the differential pressure transducer.

Weight: approx. 3.8 kg

Dimensional drawing model 8310



- The differential pressure transducers for low pressure ranges may be used to take measurements on systems with line pressures up to 100 bar (or, with the option, up to 345 bar). The line pressure is the maximum static pressure that is permitted simultaneously on both ports of a differential pressure transducer. The result of adding the static pressure to the pressure to be measured must also not exceed the maximum line pressure. For instance, a transducer with a measuring range of 0 ... ± 100 mbar may be exposed to 100 bar at one pressure port and 99.9 bar at the other, or may have 0 bar at one port and 0.1 bar at the other. It should be noted that when the line pressure changes, the zero point moves. The shift in the zero point is reproducible. It is normal and is compensated for a line pressure of 100 bar.
- All the differential pressure transducers have mechanical protection against overload. If the measuring range is exceeded by more than 50%, the membrane presses against a stop. Because this stop places a heavy mechanical stress on the membrane, overload should be avoided entirely if at all possible. If, however, overloading does occur, the zero point will move; a change in precision or damage is prevented. Damage will only be caused by frequent or sudden overload.

Order Code

Refer to table, additionally please mention options with short terms.

Options

| | | |
|--------|---|----------------------------|
| Option | Internal amplifier with voltage output - 5 V...+ 5 V DC | ...-V2xxxxx |
| | technical data | refer to data sheet 83-IMV |
| Option | Internal amplifier with current output 4...20 mA; | ...-V4xxxxx |
| | $\Delta p \triangleq 0 \text{ bar} = 4 \text{ mA}$, $\Delta p = \text{full scale positive} \triangleq 20 \text{ mA}$ | |
| | technical data | refer to data sheet 83-IMV |
| Option | Extension of max. pressure of system to 200 bar; | ...-Vxx1xxxx |
| | maximum overload for one side: 100 bar | |
| Option | Extension of max. pressure of system to 345 bar; | ...-Vxx2xxxx |
| | maximum overload for one side: 100 bar, | |
| | only available for range > 0 ... ± 500 mbar | |

Technical Data - Models 8313, 8314

| Model | Order Code | Measurement Range | Typical Measurement Error* [% F.S.] |
|-------|------------|-------------------|-------------------------------------|
| 8313 | 8313-5 | 0 ... ± 5 bar | < ± 0.25 |
| | 8313-10 | 0 ... ± 10 bar | < ± 0.25 |
| | 8313-20 | 0 ... ± 20 bar | < ± 0.25 |
| | 8313-50 | 0 ... ± 50 bar | < ± 0.25 |
| 8314 | 8314-5 | 0 ... ± 5 bar | < ± 0.50 |
| | 8314-10 | 0 ... ± 10 bar | < ± 0.50 |
| | 8314-20 | 0 ... ± 20 bar | < ± 0.50 |
| | 8314-50 | 0 ... ± 50 bar | < ± 0.50 |

* Total error consisting of non-linearity, hysteresis and variation.

Electrical values

| | | |
|--|----------------------|--------------------------------|
| Bridge resistance: | foil strain gauge | 350 Ω, nominal |
| Calibration shunt resistor: | | 59 kΩ ± 0.1 % |
| The bridge output voltage, caused by a shunt resistor of this value, is given in the calibration protocol. | | |
| Excitation voltage: | recommended possible | 10 V DC or AC 15 V DC or AC |
| Characteristic: | | 2 mV/V, nominal |

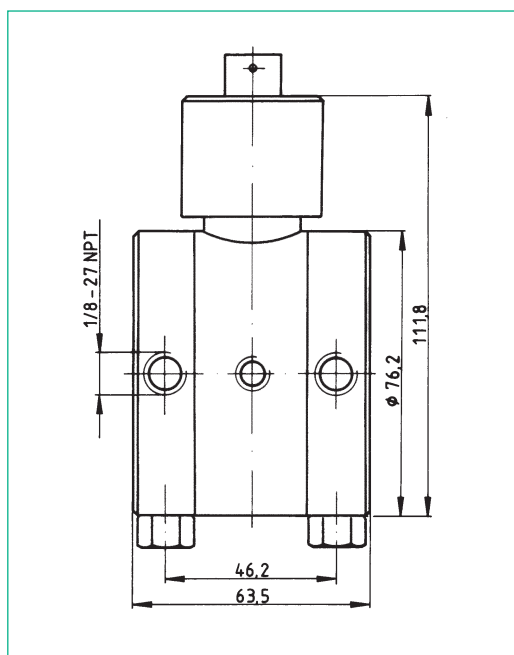
Environmental conditions

| | |
|---|---------------------|
| Range of operation temperature: | - 55 °C ... 120 °C |
| Range of nominal temperature: | 15 °C ... 70 °C |
| Influence of temperature to zero signal: | |
| model 8313 | < ± 0.5 % F.S./55 K |
| model 8314 | < ± 0.75% F.S./55 K |
| Influence of temperature to characteristic: | |
| model 8313 | < ± 0.5 % Rdg./55 K |
| model 8314 | < ± 1.0 % Rdg./55 K |

Mechanical values

| | | | |
|--------------------------------|---|---------------------------|---------------------|
| Kind of measurement: | measurement of differential pressure | | |
| Individual error: | | | |
| model 8313 | non-linearity | < ± 0.15 % F.S. | |
| | hysteresis | < ± 0.10 % F.S. | |
| | variation | < ± 0.05 % F.S. | |
| model 8314 | non-linearity | < ± 0.25 % F.S. | |
| | hysteresis | < ± 0.13 % F.S. | |
| | variation | < ± 0.07 % F.S. | |
| Dead volume: | every side approx. | 4.1 cm ³ | |
| Variation of volume: | for range 0 ... ± 20 bar | approx. | 0.1 cm ³ |
| Pressure of system: | maximum | 100 bar | |
| Maximum overload for one side: | | 100 bar | |
| Natural frequency: | | | |
| for range | 0 ... ± 20 bar | liquid media | 10 Hz |
| | | gaseous media | 20 Hz |
| Dynamic load: | | | |
| recommended | | 70 % of nominal pressure | |
| possible | | 100 % of nominal pressure | |
| Design: | Both pressure chambers are sealed hermetically, the membranes are welded. The outer caps of the pressure chamber are bolt. They are sealed by O-rings, made of viton. | | |
| Mounting: | Mounting hole with internal thread 1/4-28 UNF, 8 mm deep, central on both sides of the differential pressure transducer. | | |
| Material: | stainless steel 17 - 4 PH, like 1.4542 | | |
| Pressure connection: | internal thread 1/8 - 27 NPT | | |
| Bleeder holes: | | | |
| closed at delivery | internal thread 1/8 - 27 NPT | | |
| Electrical connection: | | | |
| 6-pin bajonett lock | Souriau 851-07A-10-5P | | |

Dimensional drawing models 8313 and 8314



The differential pressure transducer for medium pressure ranges can be used to take measurements on systems up to a line pressure of 100 bar. The line pressure is the maximum static pressure that is permitted simultaneously on both ports of a differential pressure sensor. The result of adding the static pressure to the pressure to be measured must also not exceed the maximum line pressure. For instance, a transducer with a measuring range of ± 10 bar may be exposed to 100 bar at one pressure port and 90 bar at the other, or may have 0 bar at one port and 10 bar at the other. It should be noted that when the line pressure changes, the zero point moves. The shift in the zero point is reproducible. It is normal and is compensated for a line pressure of 100 bar.

Wiring:

| | | |
|-----------|--------------------|----------|
| pin A + B | excitation voltage | positive |
| pin C + D | excitation voltage | negative |
| pin E | signal output | negative |
| pin F | signal output | positive |

Mating connector: model 9945
Souriau 851-06E-C-10-6S or Amphenol 62 GB - 16F - 10- 6
in scope of delivery

Dimensions: refer to dimensional drawing
Weight: approx. 2.3 kg

Order Code

Refer to table, additionally please mention options with short terms.

Options

| | |
|---|----------------------------|
| Option | ...-V2xxxxxx |
| internal amplifier with voltage output | - 5 V...+ 5 V DC |
| technical data | refer to data sheet 83-IMV |
| Option | ...-V4xxxxxx |
| internal amplifier with current output 4...20 mA; | |
| $\Delta p \triangleq 0$ bar = 4 mA, Δp = full scale positive $\triangleq 20$ mA | |
| technical data | refer to data sheet 83-IMV |
| Option | ...-Vxx1xxxx |
| Extension of max. pressure of system to 200 bar; | |
| maximum overload for one side: 100 bar | |
| Option | ...-Vxx2xxxx |
| Extension of max. pressure of system to 345 bar; | |
| maximum overload for one side: 100 bar, | |
| only available for range > 0 ... ± 500 mbar | |

Technical Data - Models 8315, 8316

| Model | Order Code | Measurement Range | Measurement Error [% v.E.] | Max. System Pressure [bar] | Max. Overload to One Side [bar] |
|-------|------------|-------------------|-------------------------------|-------------------------------|------------------------------------|
| 8315 | 8315-100 | 0 ... ± 100 bar | < ±0.25 | 240 | 200 |
| | 8315-200 | 0 ... ± 200 bar | < ±0.25 | 340 | 400 |
| | 8315-500 | 0 ... ± 500 bar | < ±0.25 | 640 | 750 |
| 8316 | 8316-100 | 0 ... ± 100 bar | < ±0.5 | 240 | 200 |
| | 8316-200 | 0 ... ± 200 bar | < ±0.5 | 340 | 400 |
| | 8316-500 | 0 ... ± 500 bar | < ±0.5 | 640 | 750 |

* Total error consisting of non-linearity, hysteresis and variation.

Electrical values

Bridge resistance: foil strain gauge 350 Ω , nominal
 Calibration shunt resistor: 59 Ω ± 0.1 %
 The bridge output voltage, caused by a shunt resistor of this value is given in the calibration protocol.
 Excitation voltage: 10 V DC or AC
 Sensitivity: 2 mV/V, nominal

Environmental conditions

Operating temperature: - 50 °C ...120 °C
 Nominal temperature range: 15 °C ... 70 °C
 Influence of temperature to zero signal:
 model 8315 ≤ ± 0.5 % F.S./55 K
 model 8316 ≤ ± 0.75 % F.S./55 K
 Influence of temperature to characteristic:
 model 8315 ≤ ± 0.5 % Rdg./55 K
 model 8316 ≤ ± 1.0 % Rdg./55 K

Mechanical values

Kind of measurement: measurement of differential pressure
 Individual error:
 model 8315 non-linearity < ± 0.15 % F.S.
 hysteresis < ± 0.10 % F.S.
 variation < ± 0.05 % F.S.
 model 8316 non-linearity < ± 0.25 % F.S.
 hysteresis < ± 0.13 % F.S.
 variation < ± 0.07 % F.S.
 Dynamic load: recommended 70 % of nominal load
 possible 100 % of nominal load

Design:

Both pressure chambers are sealed hermetically, the membranes are welded. The outer caps of the pressure chamber are bolt. They are sealed by O-rings, made of metal.

Mounting:

One side of the differential pressure transducer, opposite to the connector, has a mounting hole. Internal thread 10 - 32 UNF, 9.5 mm deep.

Material: stainless steel 17-4 PH (similar to 1.4542)

Pressure connector: internal thread 1/4 - 18 NPT

Electrical connector: 6 pin bajonett lock Souriau 851 - 07A - 10 - 6P

Wiring (standard):

pin A + B excitation voltage positive
 pin C + D excitation voltage negative
 pin E output signal negative
 Stift F output signal positive

Mating connector: Model 9945
 Souriau 851-06E-C-10-6S or Amphenol 62GB-16F-10-6S
 in scope of delivery

Dimensions: refer to dimensional drawing

Weight: approx. 1.8 kg

Order Code

Refer to table, additionally please mention options with short terms.

Options

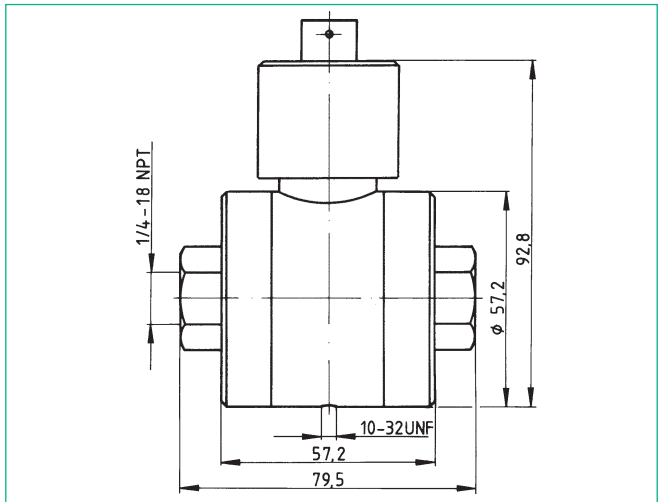
Option ...-V2xxxxxx
 Internal amplifier with voltage output - 5 V...+ 5V DC
 technical data refer to data sheet 83-IMV

Option ...-V4xxxxxx
 Internal amplifier with current output 4...20 mA;
 $\Delta p \hat{=} 0 \text{ bar} = 4 \text{ mA}$, $\Delta p = \text{full scale positive} \hat{=} 20 \text{ mA}$
 technical data refer to data sheet 83-IMV

Option ...-Vxx1xxxx
 Extension of max. pressure of system to 200 bar;
 maximum overload for one side: 100 bar

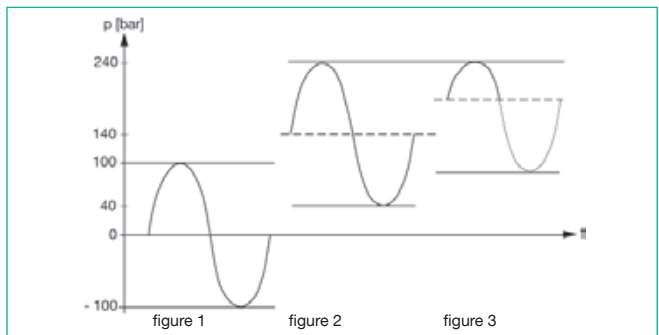
Option ...-Vxx2xxxx
 Extension of max. pressure of system to 345 bar;
 maximum overload for one side: 100 bar,
 only available for range > 0 ... ± 500 mbar

Dimensional drawing models 8315 and 8316



The differential pressure transducers are designed for a line pressure up to 140 bar and are designed for large pressure differences such as occur on double-acting hydraulic cylinders in construction machinery or material test devices. If the measuring range in the positive direction is restricted, the transducers can be used at a higher line pressure - up to the maximum value given in the table.

Thus the sensor that has a measuring range of ± 100 bar, when connected to 0 bar line pressure, operates over the range - 100 ... + 100 bar (figure 1), while when connected to 140 bar line pressure it operates from 40 ... 240 bar (figure 2). If the same sensor is connected to a 240 bar line pressure, only the range from 140 bar ... 240 bar is available for measurements (figure 3).



For any applications of the differential pressure sensors, care must be taken to ensure that the value for „overload, one side“ is not exceeded.

If the line pressure changes, the sensor's zero point moves. The shift in the zero point is reproducible and is in most cases less than 2% of full-scale. It is normal and is compensated for a static pressure 140 bar on both sides.

Accessories

Connecting cable for sensors with bridge output, complete with coupling plug and socket, 6-core, screened, bending radius > 5 mm, PVC insulation, standard length 3 m

for any type of burster analysis electronics in desktop housing with 12-pin connection **Model 9911**
 with open, color-coded and tinned cable ends **Model 9986**