

Mechanical Specifications

Overall size*:	120cm X 77cm X 177cm
Operating footprint:	120cm X 77cm
Polar motion:	-10° to 370°
Azimuth motion:	within 23° of lamp axis
Minimum Angular step size:	0.10 degrees in polar and azimuth
Test lamp mechanical volume:	18cm diameter
Mechanical-Optical-Software run out:	less than 0.025mm
Unit weight:	360KG (800 lb.) not including the computer system
Shipping weight:	540KG (1200 lb.) computer is packed and shipped separately

*Standard lamp orientations are vertical with base down, and horizontal.

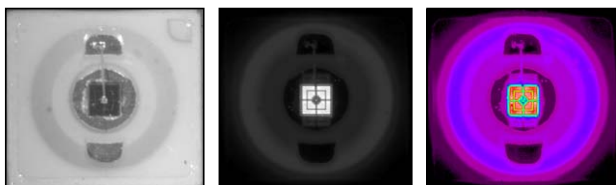
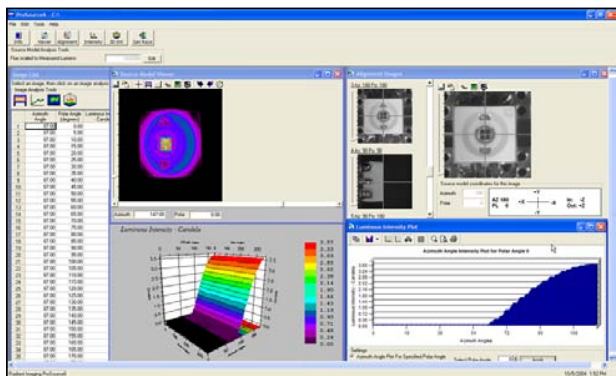
Optical Specifications

Image capture:	Cooled 16-bit digital CCD camera with Photopic matching filter
Field of Views (FOV):	20x20mm - 2x2mm (4 discreet sizes with a 512 x 512 CCD resolution) 28x28mm - 4.8x4.8mm (4 discreet sizes with a 1024 x 1024 CCD resolution)
Neutral density filter:	7.0 Max.

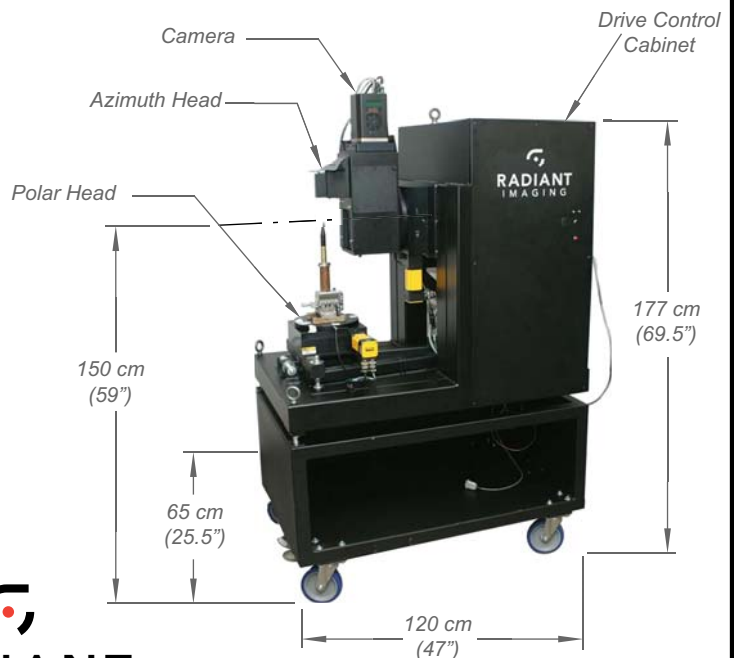
ProScan™ Software

Output Graphs and Charts:	Luminance Cross-Section Candela Cross-Section 3-Dimensional Surface Plot (Luminance) Isometric Luminance Plot Angular Distribution Graphs for Luminous Intensity Graph and Image Comparisons for Multiple Captures Display of Multiple Images and Graphs
---------------------------	--

Fully integrated within software:	Automated motion and image capture control Real-time, on-screen video display Gray-scale and false color display Record ambient alignment images of the source On-screen alignment cursors
-----------------------------------	--



ProSource® 6.1 Screen Capture



RADIANT
IMAGING

SEE THE DIFFERENCE

Radiant Imaging, Inc. 15321 Main Street NE, Suite 310, PO Box 5000, Duvall, WA 98019, United States
 Phone: (425) 844-0152 Fax: (425) 844-0153
 sales@radiantimaging.com http://www.radiantimaging.com

Copyright © 2004
 Radiant Imaging, Inc.
 All Rights Reserved.
 Revised: 14OCT04